



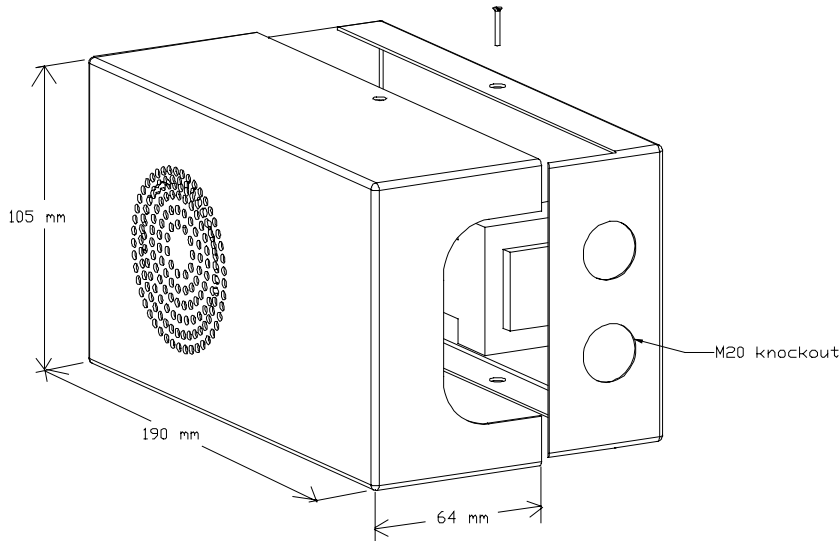
DNH^{AS}

N-3770 Kragerø
NORWAY
Phone: (47) 35 98 56 00
Fax: (47) 35 98 56 10
E-mail: dnh@dnh.no
Web-site: www.dnh.no

ISO 9001 CERTIFIED

SAFE-66(T)

DNH WW Ltd. England Phone: (44) 1908 275 000
Fax: (44) 1908 275 100
E-mail: dnh@dnh.co.uk
DNH GmbH Germany Phone: (49) 040 6569 30-0
Fax: (49) 040 6569 30-30
E-mail: dnh@dnh.de



100 V transformer with temp. fuse

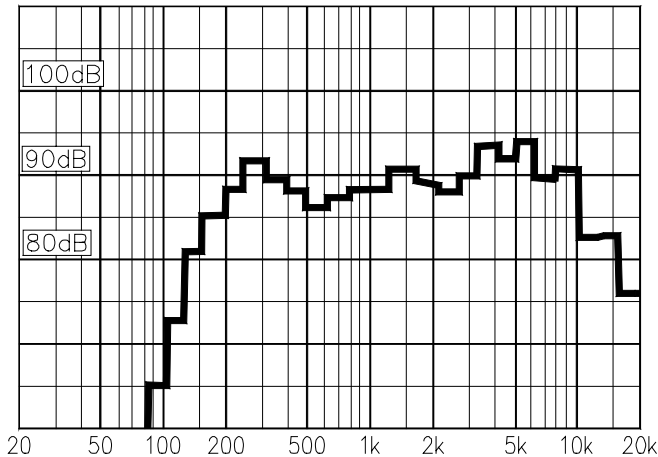
Primary connection:
5 : 8 100 V

Secondary nominal tapings:

1 : 4 6,0 W
1 : 3 3,0 W
2 : 4 2,0 W
1 : 2 1,5 W
3 : 4 0,8 W
2 : 3 0,5 W

Acc. British Standard 5839

1W/1m Pink Noise 1/3 octave bands



Material / Colour Steel / White Ral 9010
Mounting Two screws
Termination Ceramic terminals
Weight 1,2 kg
IP-rating NA
Max. / min. amb. temp 90 °C / -20 °C
Standard version 50 V / 100 V transformer
Rated / max. power 6 W / 6 W
SPL 1W/1m (-10 dB) 90 dB
SPL rated power 97 dB
Effective freq. range 160 – 16000 Hz
Dispersion (-6dB) 1kHz / 4kHz 185° / 105°
Directivity factor, Q.....

Installation, Operation and Maintenance Procedures

- When mounting the loudspeaker please ensure that it is re-assembled in the same manner in which it was received.
- For optimum performance, always use the correct voltage / power and operate within the frequency limits as stated.
- Do not open loudspeaker when energized.
- This loudspeaker is supplied with a 2 year warranty against defective workmanship.

Most of our products are available in different colours, impedances and power ratings.

