



DNH^{AS}

**N-3770 Kragerø
NORWAY**
 Phone: (47) 35 98 56 00
 Fax: (47) 35 98 56 10
 E-mail: dnh@dnh.no
 Web-site: www.dnh.no

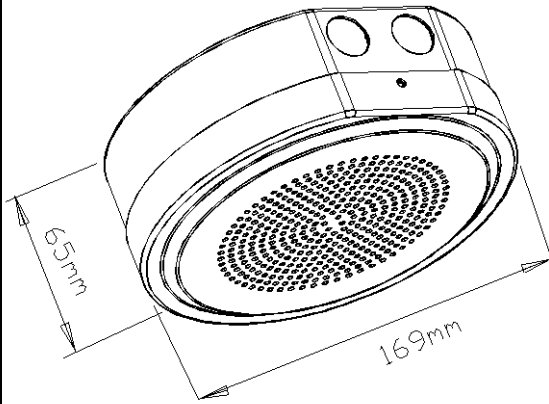
**DNH WW Ltd.
England**
 Phone:.....(44) 1908 275 000
 Fax:.....(44) 1908 275 100
 E-mail:.....dnh@dnh.co.uk

**DNH GmbH
Germany**
 Phone:.....(49) 040 6569 30-0
 Fax:.....(49) 040 6569 30-30
 E-mail:.....dnh@dnh.de

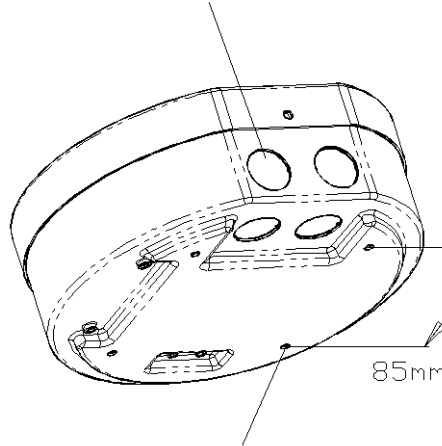
**DNH
Speakers Inc.
USA**
 Phone:.....(1) 484 494 5790
 Fax:.....(1) 484 494 5793
 E-mail:.....dnh@dnhspeakers.com

SAFE-561(T)

ISO 9001 CERTIFIED



2+2 x M20 knock outs



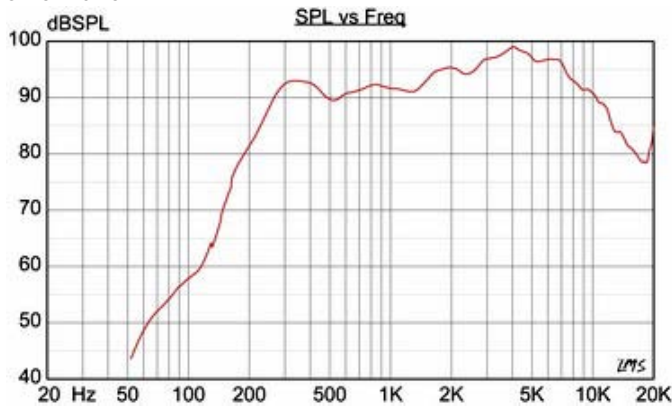
4 x ø4mm mounting holes

Transformer:
 Combined
 70/100Volt line
 White : Red 100 V
 White : Green 70 V

Secondary nominal
 tappings:
 C : 6 6,0 W
 C : 3 3,0 W
 C : 1,5 1,5 W
 C : 0,5 0,5 W

Acc. British Standard 5839

Sound pressure levels at different frequencies at 1W/1m sine wave.



Material / Color Steel / White Ral 9010
 Mounting..... Four screws
 Termination..... Ceramic terminals
 Weight..... 1,2 kg
 IP-rating..... 30
 Max / min amb temp..... 90 °C / -20 °C
 Rated / max power 6 W / 6 W
 SPL 1W/1m (-10 dB) 90 dB
 SPL rated power 97 dB
 Effective freq range..... 180 – 13000 Hz
 Dispersion (-6dB) 1kHz / 4kHz..... 187° / 77°
 Directivity factor, Q (1kHz)..... 1,9
 Options Impedance, color, label

Installation, Operation and Maintenance Procedures

- Screw cabinet to wall/ceiling with 2-4 screws. Connect cable to terminal and screw front part to cabinet with two screws.
- For optimum performance, always use the correct voltage / power and operate within the frequency limits as stated.
- Do not open loudspeaker when energized.
- This loudspeaker is supplied with a 2 year warranty against defective materials and workmanship.

